

# TECHNICAL DATASHEET

V1.2 - march 2023

**GIESEN**<sup>®</sup>  
coffee-roasters

## W6A

Gas coffee roaster

### One roaster, infinite potential

Quality and functionality should always go together, and this reflects in our products. **The W6 series is handmade with high-quality materials.** We designed this roaster with two different fans. This way you can roast and cool simultaneously while also increasing the production capacity up to 24 kg. per hour.

### Ultimate roasting control

Take roasting into your own hands with the **W6 series.** With our own developed software, it is possible to record and replay a roast with the related settings, enabling you to maintain the same quality levels for multiple batches.

### Why a Giesen W6 series roaster?

Gregory Koifman, founder of Ethica coffee roasters explains; *"I am delighted with the roaster. It feels like roasting never was more smooth, especially with such easy maintenance. It was essential for me to find a roaster that would fit into the interior of the coffee shop. Giesen produces high-tech machines with perfect, thought-through designs."*



*Gregory Koifman*



### Full control

We don't want to limit your coffee roasting options. That is why options such as airflow, drum speed and power control are **included as standard.** Take advantage of the freedom a Giesen roaster gives you!

### Support and service

When it comes to service and support, our team is unparalleled. Our knowledgeable experts and user-friendly tools enable us to offer **exceptional customer service,** guaranteeing complete satisfaction with our products.

### Dutch design

Our goal is to create roasters that bring a smile to your face, embodying your personality and filling you with pride. With a vast array of design options, you have the ability to **fully customize** your roaster to your exact preferences.

**GIESEN**<sup>®</sup>  
coffee-roasters

#### Giesen Coffee Roasters

+31 (0) 315 68 13 77  
Industrieweg 15  
7071 CK Uft  
The Netherlands

#### Online

[www.giesen.com](http://www.giesen.com)



#### Sales

[sales@giesen.com](mailto:sales@giesen.com)

#### Support

[support@giesen.com](mailto:support@giesen.com)

## Ranges

<b>Underpressure range</b>	80 – 150 Pa (min. – max.) Default value: 110 Pa
<b>Drum range</b> <i>Hz and RPM can be selected</i>	36 – 51 Hz (min. – max.) Default value: 46 Hz
<b>Temp. setpoint range</b> <i>°C and °F can be selected</i>	100 – 250 °C (min. – max.) Default value: 200 °C

## Electrical specifications

<b>Supply voltage</b>	230V AC <small>IL+N+PE</small>
<b>External fusing</b>	1 x 16A
<b>Max. electrical power</b>	1,7 kW

## Certifications

CE (standard)

## Chimney specifications

Chimney diameter  $\varnothing$  150 mm

## General specifications

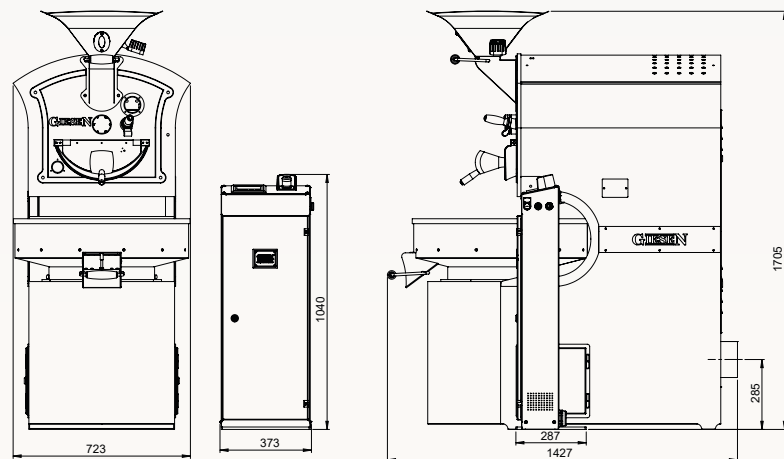
<b>Measurements</b>	1427 (L) x 723 (W) x 1705 (H)
<b>Weight</b>	485 kg <i>roaster only</i>
<b>Minimum batch size</b>	3 kg
<b>Maximum batch size</b>	6 kg
<b>Sound level</b>	70 dB (A)

## Gas specifications

<b>Gas connection</b>	G 3/8" (M)	
<b>Max. gas consumption</b>		
12E / 12H / IRE+	(G20)	18 m <sup>3</sup> /h
12L / 12EK	(G25 / G25.3)	21 m <sup>3</sup> /h
13B/P / 13+ / 13B	(G30)	0.665 m <sup>3</sup> /h
13P	(G31)	0.526 m <sup>3</sup> /h
<b>Gas inlet pressure</b>		
12L / 12EK	(G25 / G25.3)	25 mbar
12E / 12H / IRE+	(G20)	20 mbar
13P	(G31)	30 / 37 / 50 mbar
13B/P / 13+ / 13B	(G30)	30 / 29 / 50 mbar

## Additions

- Giesen Profiler
- Destoner
- Green Coffee Conveyor
- External cyclone
- SFE filter
- Support router
- CEC Catalytic Emission Cleaner



Get adequate information or a personalized quote by scanning the QR code. It's quick, easy, and convenient - the perfect way to get the information you need in no time!