

# TECHNICAL DATASHEET

V1.3 - april 2023

**GIESEN**<sup>®</sup>  
coffee-roasters

## W6A Pro

Gas coffee roaster

The GCC system and destoner are optional accessories.

### The ultimate roaster

Consistency? Automated roasting? Great design? Quality? **Our W6A Pro has it all!** This roaster features fully automated roasting which means that all steps can be automated. Quality and functionality should always go together, reflecting in our newest roaster.

### Fully automated

The W6A Pro combines a Green Coffee Conveyor, an advanced cooling system and the best smart-roasting software to create the ultimate fully automated roasting process. Experience the possibilities as the software is fully integrated with the W6 Pro.

### Benefits of the W6A Pro

- Fully automated roasting
- Premix burner
- Up to 7 kilograms of coffee per batch
- Fast cooling
- Adjustable control panel with shelf
- Customizable LED lights
- Easy and accessible cleaning



### Full control

We don't want to limit your coffee roasting options. That is why options such as airflow, drum speed and power control are **included as standard**. Take advantage of the freedom a Giesen roaster gives you!

### Support and service

When it comes to service and support, our team is unparalleled. Our knowledgeable experts and user-friendly tools enable us to offer **exceptional customer service**, guaranteeing complete satisfaction with our products.

### Dutch design

Our goal is to create roasters that bring a smile to your face, embodying your personality and filling you with pride. With a vast array of design options, you have the ability to **fully customize** your roaster to your exact preferences.

**GIESEN**<sup>®</sup>  
coffee-roasters

#### Giesen Coffee Roasters

+31 (0) 315 68 13 77  
Industrieweg 15  
7071 CK Uft  
The Netherlands

#### Online

www.giesen.com



#### Sales

sales@giesen.com

#### Support

support@giesen.com

## Ranges

<b>Underpressure range</b>	80 – 150 Pa (min. – max.) Default value: 110 Pa
<b>Drum range</b> <i>Hz and RPM can be selected</i>	36 – 51 Hz (min. – max.) Default value: 46 Hz
<b>Temp. setpoint range</b> <i>°C and °F can be selected</i>	100 – 250 °C (min. – max.) Default value: 200 °C

## Electrical specifications

<b>Supply voltage</b>	230V AC $I_L+N+PE$ Supply frequency: 50 – 60 Hz
<b>External fusing</b>	1 x 16A
<b>Max. electrical power</b>	2,5 kW

## Certifications

CE (standard)

## Chimney specifications

Chimney diameter  $\varnothing$  150 mm

## General specifications

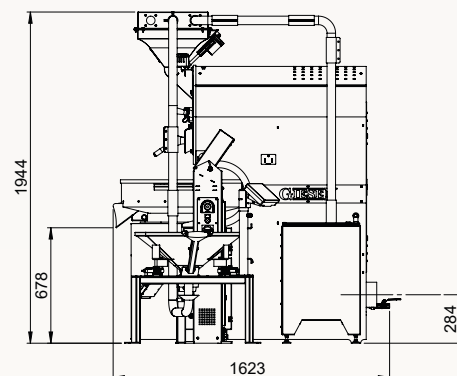
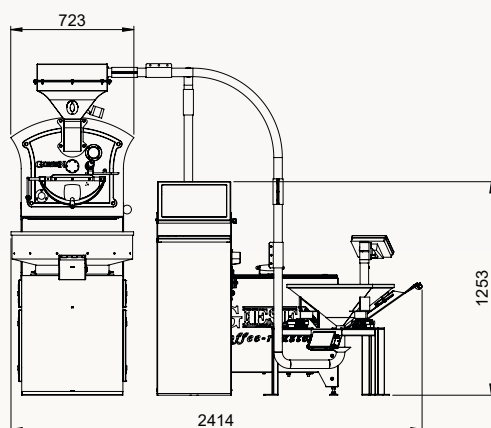
<b>Measurements</b>	1623 (L) x 2414 (W) x 1944 (H) <i>Roaster in combination with GCC</i>
<b>Weight</b>	600 kg <i>roaster only</i>
<b>Minimum batch size</b>	3,5 kg
<b>Maximum batch size</b>	7 kg
<b>Sound level</b>	70 dB (A)

## Gas specifications

<b>Gas connection</b>	$G\ 1/2"$ (F)												
<b>Max. gas consumption</b>	Natural gas 2,1 m <sup>3</sup> /h Propane gas 0,75 m <sup>3</sup> /h												
<b>Gas inlet pressure</b>	<table><tr><td>12L / 12EK</td><td>(G25 / G25.3)</td><td>25 mbar</td></tr><tr><td>12E / 12H / IRE+</td><td>(G20)</td><td>20 mbar</td></tr><tr><td>13P</td><td>(G31)</td><td>30 / 37 / 50 mbar</td></tr><tr><td>13B/P / 13+ / 13B</td><td>(G30)</td><td>30 / 29 / 50 mbar</td></tr></table>	12L / 12EK	(G25 / G25.3)	25 mbar	12E / 12H / IRE+	(G20)	20 mbar	13P	(G31)	30 / 37 / 50 mbar	13B/P / 13+ / 13B	(G30)	30 / 29 / 50 mbar
12L / 12EK	(G25 / G25.3)	25 mbar											
12E / 12H / IRE+	(G20)	20 mbar											
13P	(G31)	30 / 37 / 50 mbar											
13B/P / 13+ / 13B	(G30)	30 / 29 / 50 mbar											

## Additions

- Giesen Profiler
- Destoner
- Green Coffee Conveyor
- External cyclone
- SFE filter
- Support router
- CEC Catalytic Emission Cleaner



*The GCC system is an optional accessory.*



Get adequate information or a personalized quote by scanning the QR code. It's quick, easy, and convenient - the perfect way to get the information you need in no time!