

TECHNICAL DATASHEET

V1.2 - march 2023

GIESEN[®]
coffee-roasters

W45A Gas coffee roaster

Advanced technology

With the advanced technology, we ensure the W45A roaster fulfills your needs. Enjoy Giesen Profiler, and create, repeat, and save roasting profiles. **Experience coffee roasting at the highest level.**

Extensive possibilities

Giesen Profiler allows you to save and replay roast profiles or recipes. This way, it is easy to roast different coffee types, each with its own settings. The system is easy to operate via a touchscreen where the temperature, power, fan speed and drum speed can be adjusted. All parameters are visible on the screen and every adjustment can be controlled.

Why a Giesen W45A roaster?

Darius Vezelis, owner of Vero Coffee House explains; *"Giesen roasters are reliable and manufactures great machines! Their support and service are also good and they always keep their promises. **When clients see our W45A for the first time they describe it as the feeling you get when going to the theatre and the curtains are dropped."***



Darius Vezelis



Full control

We don't want to limit your coffee roasting options. That is why options such as airflow, drum speed and power control are **included as standard**. Take advantage of the freedom a Giesen roaster gives you!

Support and service

When it comes to service and support, our team is unparalleled. Our knowledgeable experts and user-friendly tools enable us to offer **exceptional customer service**, guaranteeing complete satisfaction with our products.

Dutch design

Our goal is to create roasters that bring a smile to your face, embodying your personality and filling you with pride. With a vast array of design options, you have the ability to **fully customize** your roaster to your exact preferences.

GIESEN[®]
coffee-roasters

Giesen Coffee Roasters

+31 (0) 315 68 13 77
Industrieweg 15
7071 CK Uft
The Netherlands

Online

www.giesen.com



Sales

sales@giesen.com

Support

support@giesen.com

Ranges

Underpressure range 100 – 170 Pa (min. - max.)
Default value: 130 Pa

Drum range 37 – 52 Hz (min. - max.)
Hz and RPM can be selected
Default value: 47 Hz

Temp. setpoint range 100 – 250 °C (min. - max.)
°C and °F can be selected
Default value: 200 °C

Electrical specifications

Supply voltage 400V AC L1+L2/N + PE

External fusing 3 x 32A

Max. electrical power 9,7 kW

Certifications

CE (standard)

Chimney specifications

Chimney diameter Ø 200 mm *roast fan*

Ø 300 mm *cooling fan*

General specifications

Measurements 4951 (L) x 2527 (W) x 2964 (H)

Weight *On request*

Minimum batch size 22,5 kg

Maximum batch size 45 kg

Sound level 70 dB (A)

Gas specifications

Gas connection G 1" (M) *natural gas*

G 3/4" (M) *propane gas*

Max. gas consumption

I2E / I2H / IRE+	(G20)	12.50 m ³ /h
I2L / I2EK	(G25 / G25.3)	10.60 m ³ /h
I3B/P / I3+ / I3B	(G30)	4.24 m ³ /h
I3P	(G31)	2.24 m ³ /h

Gas inlet pressure

I2L / I2EK	(G25 / G25.3)	25 mbar
I2E / I2H / IRE+	(G20)	20 mbar
I3P	(G31)	30 / 37 / 50 mbar
I3B/P / I3+ / I3B	(G30)	30 / 29 / 50 mbar

Additions

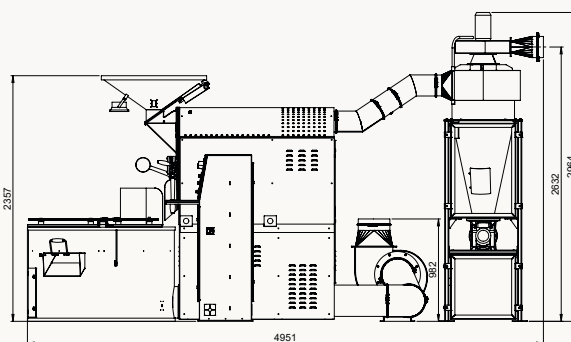
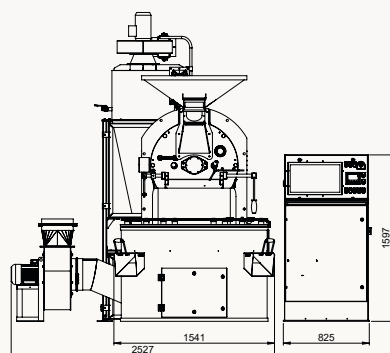
Giesen Profiler

Destoner

Green Coffee Conveyor

Pellet press

CEC Catalytic Emission Cleaner



Get adequate information or a personalized quote by scanning the QR code. It's quick, easy, and convenient - the perfect way to get the information you need in no time!