

TECHNICAL DATASHEET

V1.2 - march 2023

GIESEN[®]
coffee-roasters

W1E

Electric coffee roaster

Small batches, high quality flavors

This compact roaster fits and looks perfect in every roastery. It is handmade by craftsmen with the **highest quality materials**. Use this model for roasting small batches of high-quality coffee or for test roasting and experimenting.

Full control roasting

The W1 series roasters offer exactly what you need for full control and high-quality roasting. Adjust the drum speed, airspeed, and temperature and **be amazed by the controlled roasting process**. Enjoy the profession of roasting exactly the way you had in mind!

Why a Giesen W1 series roaster?

Emanuelis Ryklys, owner of Crooked Nose & Coffee Stories explains; *"We love the W1 because it's really intuitive, friendly-looking and a perfectly working machine. I think the W1 only looks like a small roaster because the roasting possibilities are endless. It's really built as a very robust professional machine from high quality elements. Perfect for small batches and you can easily experiment with coffee too."*



Emanuelis Ryklys



Full control

We don't want to limit your coffee roasting options. That is why options such as airflow, drum speed and power control are **included as standard**. Take advantage of the freedom a Giesen roaster gives you!

Support and service

When it comes to service and support, our team is unparalleled. Our knowledgeable experts and user-friendly tools enable us to offer **exceptional customer service**, guaranteeing complete satisfaction with our products.

Dutch design

Our goal is to create roasters that bring a smile to your face, embodying your personality and filling you with pride. With a vast array of design options, you have the ability to **fully customize** your roaster to your exact preferences.

GIESEN[®]
coffee-roasters

Giesen Coffee Roasters

+31 (0) 315 68 13 77
Industrieweg 15
7071 CK Uft
The Netherlands

Online

www.giesen.com



Sales

sales@giesen.com

Support

support@giesen.com

Ranges

Underpressure range 80 - 150 Pa (min. - max.)

Drum range 45 - 60 Hz (min. - max.)

Hz and RPM can be selected

Temp. setpoint range 100 - 250 °C (min. - max.)

°C and °F can be selected

Electrical specifications

Supply voltage 400V AC 3L+N+PE

External fusing 1 x 16A

Max. electrical power 7,2 kW

Certifications

CE (standard)

Chimney specifications

Chimney diameter Ø 80 mm

General specifications

Measurements 1325 (L) x 637 (W) x 957 (H)

Weight 217 kg *roaster only*

Minimum batch size 100 gram

Maximum batch size 1500 gram

Sound level 70 dB (A)

Additions

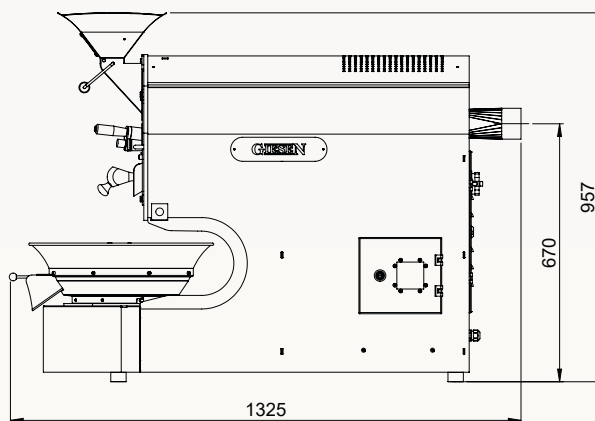
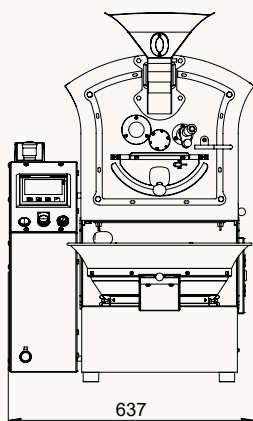
Giesen Profiler

Presentation table

SFE25 filter

Support router

Double-readout sensor



Get adequate information or a personalized quote by scanning the QR code. It's quick, easy, and convenient - the perfect way to get the information you need in no time!